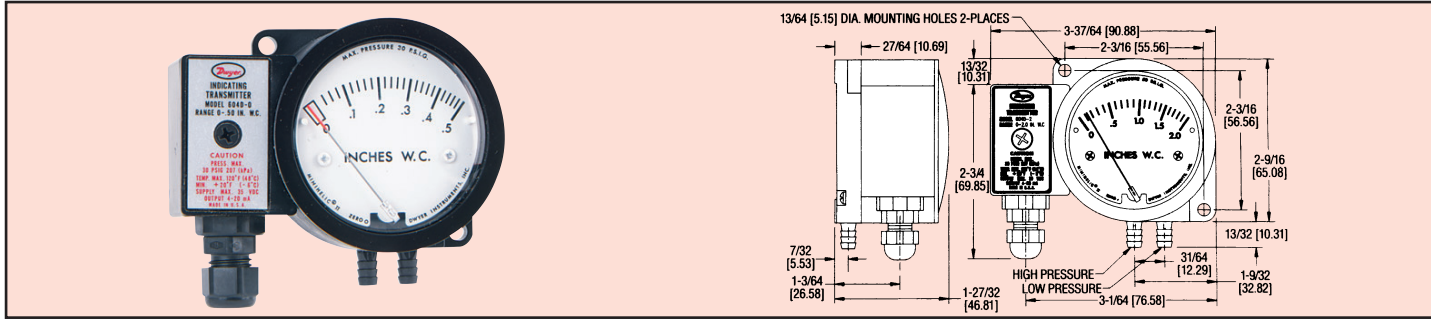




Series 604D Minihelic® Differential Pressure Indicating Transmitter



The Dwyer Series 604D Minihelic® Indicating Transmitter combines visual monitoring with electronic control of low differential air or compatible gas pressures. This versatile device is ideal for building HVAC systems where local indication is needed during maintenance checks or when troubleshooting the system. The transmitter design employs the latest strain gage technology and operates in 2 wire control loop circuits. Separate Zero and Span controls plus a 4-screw terminal strip are protected in a gasketed side enclosure. Cable gland fits .10 - .25" round cable. A 10-35 VDC power supply is required.

STOCKED MODELS

Model Number	Range Inches w.c.	Model Number	Range Inches w.c.
604D-0	0-0.5	604D-10	0-10
604D-1	0-1.0	604D-20	0-20
604D-2	0-2.0	604D-40	0-40
604D-3	0-3.0	604D-60	0-60
604D-5	0-5.0	604D-100	0-100

SPECIFICATIONS
GAGE SPECIFICATIONS
Service: Air and non-combustible, compatible gases.
Wetted Materials: Consult Factory.
Accuracy: ±5% F.S.O.
Stability: ± 1% F.S./yr.
Pressure Limits: 30 psig (206.8 kPa) continuous; 50 psig (344.7 kPa) surge.
Temperature Limits: 20 to 120°F (-6.67 to 48.9°C).
Process Connections: Barbed, for 3/16" (4.76 mm) I.D. tubing.
Size: 2-1/16" (52.39 mm) diameter dial face.
Weight: 5.6 oz. (159 g).
Agency Approvals: CE.

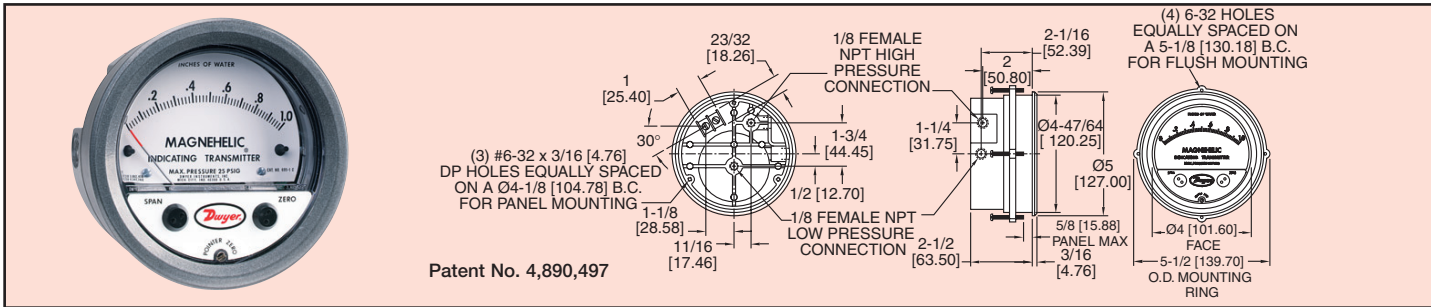
Temperature Limits: 20 to 120°F (-6.67 to 48.9°C).
Compensated Temperature Range: 32°F to 122°F (0°C to 50°C).
Thermal Effect: ±0.025% F.S./°F (0.045% F.S./°C).
Power Requirements: 10-35 VDC (2 wire).
Output Signal: 4 to 20 mA.
Zero and Span Adjustments: Internally accessible Potentiometers.
Loop Resistance: DC; 0-1250 ohms maximum.
Current Consumption: DC; 38 mA maximum.
Electrical Connections: Terminal block.
Mounting Orientation: Diaphragm in vertical position. Consult factory for other position orientations.

TRANSMITTER SPECIFICATIONS
Accuracy: ±2% of full span output (Includes linearity, hysteresis and repeatability).

* Optional 3, 4 wire configurations available, contact factory.



Series 605 Magnehelic® Differential Pressure Indicating Transmitter



The Dwyer Series 605 Magnehelic® Indicating Transmitter provides for both visual monitoring and electronic control of very low differential pressure. The Series 605 is ideal for control applications in building HVAC systems where local indication is desired during routine maintenance checks or necessary when trouble shooting the system. The easily read dial gage is complemented by the two-wire, 4-20 mA control signal utilizing the time-proven Dwyer Magnehelic® gage mechanical design and Series 600 transmitter technology. The two-wire design with terminal strip on the rear simplifies connection in any 4-20 mA control loop powered by a 12.3-35 VDC supply.

SPECIFICATIONS
GAGE SPECIFICATIONS
Service: Air and non-combustible, compatible gases.
Wetted Materials: Consult Factory.
Accuracy: See chart.
Stability: ± 1% F.S./yr.
Pressure Limits: See chart.
Temperature Limits: 20 to 120°F (-6.67 to 48.9°C).
Process Connections: 1/8" female NPT.
Size: 4" (101.6 mm) dial face, 5" (127 mm) O.D. x 2-11/16" (68.3 mm).
Weight: 1 lb. 12.6 oz. (811 g).
Agency Approvals: CE.

TRANSMITTER SPECIFICATIONS
Accuracy: See chart (includes linearity, hysteresis, repeatability).
Thermal Effect: ±0.025% F.S./°F (0.045% F.S./°C).
Power Requirements: 10-35 VDC (2 wire)
Output Signal: 4 to 20 mA.
Zero and Span Adjustments: Protected Potentiometers.
Loop Resistance: DC; 0-1250 ohms maximum.
Current Consumption: DC; 38 mA maximum.
Electrical Connections: Screw terminal block.
Mounting Orientation: Diaphragm in vertical position. Consult factory for other position orientations.

STOCKED MODELS in bold

Model Number	Range in w.c.	Maximum Pressure	Electrical Accuracy +/-%	Mechanical Accuracy +/-%	Model Number	Range in w.c.	Maximum Pressure	Electrical Accuracy +/-%	Mechanical Accuracy +/-%
605-00N	.05-0-.20	25 psi (1.7 bar)	2	4	605-20	0-20.0	20 psi (1.4 bar)	0.5	2
605-11	.25-0-.25	25 psi (1.7 bar)	2	3	605-30	0-30	20 psi (1.4 bar)	0.5	2
605-0	0-.50	25 psi (1.7 bar)	2	2	605-50	0-50	20 psi (1.4 bar)	0.5	2
605-1	0-1.0	25 psi (1.7 bar)	2	2	Range in Pa				
605-2	0-2.0	10 in. w.c. (2.5 kPa)	0.5	2	605-250 Pa	0-250	25 psi (1.7 bar)	2	2
605-3	0-3.0	5 psi (34.5 kPa)	0.5	2	605-500 Pa	0-500	10 in. w.c. (2.5 kPa)	0.5	2
605-6	0-6.0	5 psi (34.5 kPa)	0.5	2	Range in kPa				
605-10	0-10	5 psi (34.5 kPa)	0.5	2	605-1.5 kPa	0-1.5	5 psi (34.5 kPa)	0.5	2